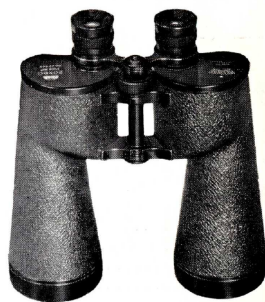


20×60^m/m

This is the perfect glass for long distance viewing and observation. Highly colorcorrected achromatic lenses.

SPECIFICATIONS

Magnification..... 20×
Aperture of Objective... 60 m/m
Dia. of Exit Pupil..... 3 m/m
Luminosity..... 9
Field of View (at 1,000 yds) 183 ft.
Height..... 8.75"
Width..... 8.0"
Weight..... 48 oz.

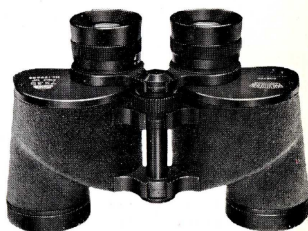


7×35^m/m
Extrawide Field

This is the best optical achievement of our PROMINAR which is specially designed covering about 130 % more area as the ordinary 7×35 model. This Binocular give you unbelievable extra wide field of view. Available Magnesium body (Feather weight) only.

SPECIFICATIONS

Magnification..... 7×
Aperture of Objective... 35 m/m
Dia. of Exit Pupil..... 5 m/m
Luminosity..... 25
Field of View (at 1,000 yds) 525 ft.
Height..... 5.2"
Width..... 7.5"
Weight (Mag. only)..... 28 oz.

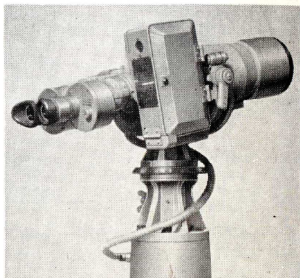


COIN OPERATED OBSERVATION BINOCULAR

After the coin is deposited, the shutter opens automatically and will remain open for the preadjusted time interval. Breathtaking views at scenic spots are made more enchanting when seen through the PROMINAR observation binocular!

SPECIFICATIONS

Magnification... 20×
Objective Aperture 120 mm
Luminosity..... 36
Field of View... 3°
Power Requirement 100 or 110 V.
Shutter opening 50 or 60 ~ A. C.
interval..... pre-adjustable
from 2 to 3
minutes.

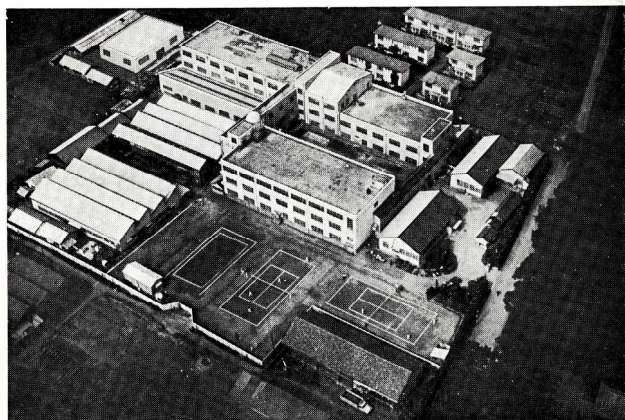


FOR BINOCULAR USERS

There are many outdoor amusements which can bring only by the use of superior Binoculars. At the recetrack, on the yacht, in the mountain while hunting and when at home or on vacation, Binoculars will add a new interest and knowledge to your enjoyment.

The differences between the first-class and an inferior Binocular, are not always obvious to a person who is new to their use. In such a case it is undoubted way to select an reliable manufacturer's at first.

The PROMINAR Binoculars are designed to meet the exacting requirement of the most critical users. They are marked by quality of finish, workmanship and materials. They are distinguished by admirable definition, high luminosity, and excellent construction.



Optical DPT., Gamagori Factory

**KOWA OPTICAL WORKS
KOFUKU SANGYO CO., LTD.**

1-10, Asahimachi, Nakaku, Nagoya, Japan

KOWA OPTICAL CORPORATION

No. 230, 5th. Ave., New York 1., N.Y. USA

Hosokawa Printing Co., Ltd.

KOWAS OPTICS PRECISION

PROMINAR



KOWA OPTICAL WORKS

KOFUKU SANGYO CO., LTD.

PROMINAR BINOCULARS

Unsurpassed Quality: Most Modern Optical Designs Precision-Grown, Hard-Coated Optical Surfaces Provide Complete Eye Comfort.

Distant Detail is seen with Maximum Clarity, Brilliance and Sharpness even under the Poorest Light Conditions. All Models are American Type with...

Featherweight or Lightweight Body (Magnesium) (Aluminium)

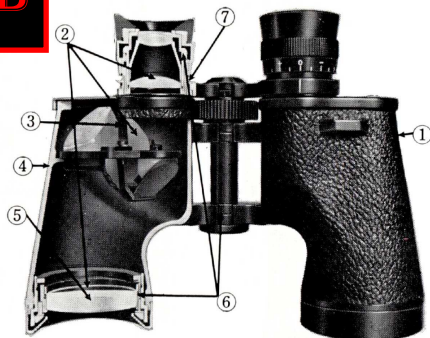
and

Central or Individual Focusing

Complete with genuine leather carrying case with shoulder and neck straps.



MB



1. Attractive simulated leather with pebble-grain scuff-resistant finish
2. All optical surfaces are anti-reflection, hard-coated
3. Prism securely anchored with U-type clamps. Prism surfaces micro-ground for maximum, undistorted light transmission
4. Modern one-piece body of special aluminium and magnesium alloys
5. Larger objective for brighter, clearer and sharper images
6. Micro-precision machining used at all critical places
7. Hermetically sealed: moistureproof, dustproof

6 × 30^m/m

Suitable for all general purposes with well-handly, balanced power and wide field of view

SPECIFICATIONS

Magnification..... 6×
Aperture of Objective 30 m/m
Dia. of Exit pupil..... 5 m/m
Luminosity 25
Field of View (at 1,000 yds) 460 ft.
Height 4.5 ''
Width 6.5 ''
Weight..... {Alum. 18.5 oz.
 {Mag. 16.5 oz.



8 × 30^m/m

General purpose model on account of its compactness and high power. Especially welcomed by travellers, hunters and racing enthusiasts.

SPECIFICATIONS

Magnification..... 8×
Aperture of Objective 30 m/m
Dia. of Exit Pupil..... 3.75 m/m
Luminosity 14.1
Field of View (at 1,000 yds) 460 ft.
Height 4.5 ''
Width 6.5 ''
Weight..... {Alum. 19.5 oz
 {Mag. 17.2 oz



7 × 35^m/m

The most favorite and universal "PROMINAR" Binocular for all-round outdoor use with high luminosity and color-corrected lenses.

SPECIFICATIONS

Magnification..... 7×
Aperture of Objective 35 m/m
Dia. of Exit pupil..... 5 m/m
Luminosity 25
Field of View (at 1,000 yds) 395 ft
Height 5.7 ''
Width 6.8 ''
Weight..... {Alum. 21.5 oz.
 {Mag. 19.5 oz.



9 × 35^m/m

Highest Power Binocular and yet compact in size. Recommended for mountain climbing, fire and game wardens etc.

SPECIFICATIONS

Magnifications 9×
Aperture of Objective 35 m/m
Dia. of Exit Pupil..... 3.9 m/m
Luminosity 15.1
Field of View (at 1,000 yds) 395 ft.
Height 5.7''
Width 6.8''
Weight {Alum. 21.5 oz.
 {Mag. 19.5 oz.



7 × 50^m/m

Popular Navy and Marine type. Large objective lenses ensure the greatest light-transmission which makes these glasses most suitable and effective for night-use or under poor light conditions.

SPECIFICATIONS

Magnification..... 7×
Aperture of Objective 50 m/m
Dia. of Exit Pupil..... 7.14 m/m
Luminosity 50.9
Field of View (at 1,000 yds) 376 ft.
Height 6.7''
Width 7.7''
Weight {Alum. 36.2 oz.
 {Mag. 32 oz.



10 × 50^m/m

Best for long distance observation and also have exceptional wide field of view, combining high magnification with extra luminosity and finest optical performance.

SPECIFICATIONS

Magnification..... 10×
Aperture of Objective 50 m/m
Dia. of Exit pupil..... 5 m/m
Luminosity 25
Field of View (at 1,000 yds) 367 ft.
Height 7.4''
Width 7.8''
Weight {Alum. 41 oz.
 {Mag. 37 oz.

